

## Typical Installation

### Series Progressive Divider Valve Installations

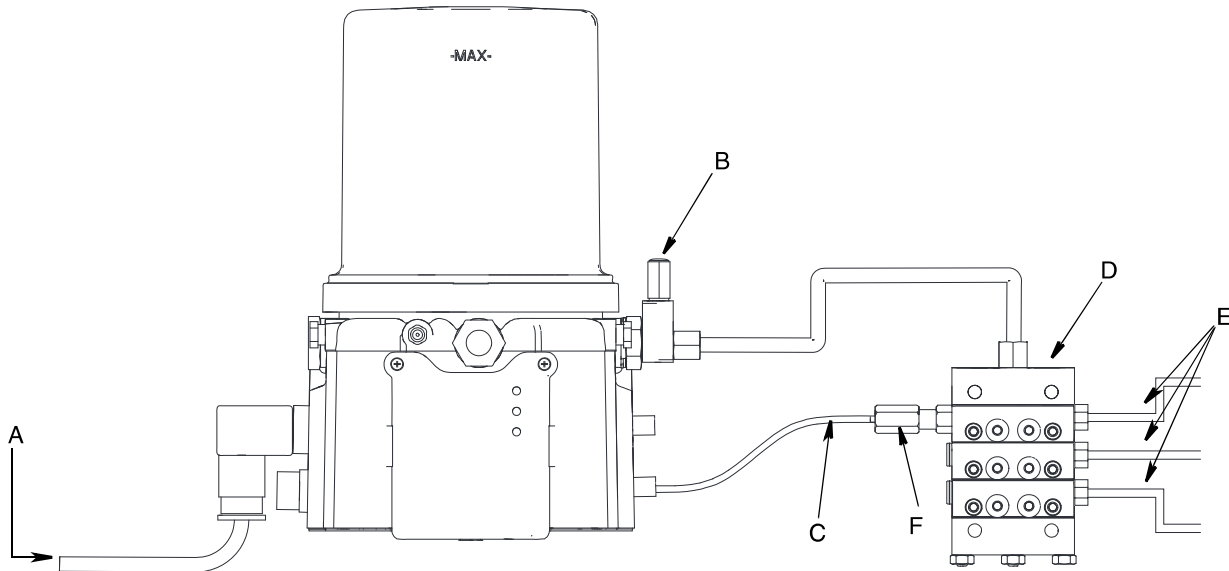


FIG. 3

## Injector Installations

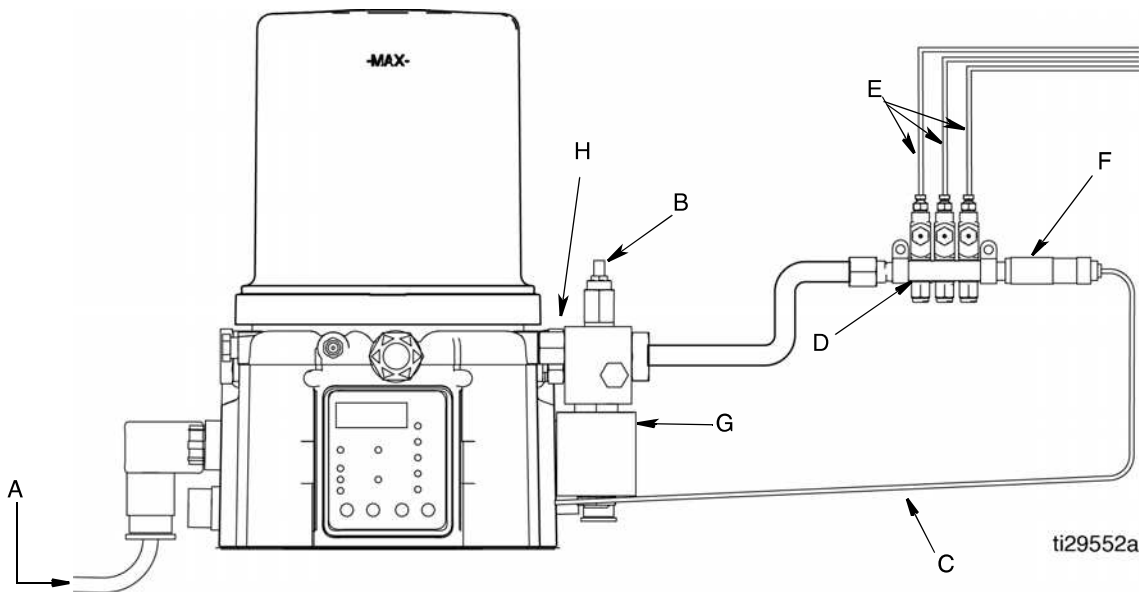


FIG. 4

- |   |                                                                                                   |   |                                                                                    |
|---|---------------------------------------------------------------------------------------------------|---|------------------------------------------------------------------------------------|
| A | Connected to fused power source                                                                   | F | - Proximity Switch (Divider Installations)                                         |
| B | Pressure relief valve (Not included/required for each outlet - user supplied. See Parts, page 77) | - | - Pressure switch (Injector Installations)                                         |
| C | - Cycle indicator sensor cable (Divider Installations)                                            | G | Vent valve (Not included / available from Graco. See Parts, beginning on page 76.) |
| - | - Pressure switch cable (Injector Installations)                                                  | H | Return to reservoir                                                                |
| D | - Series progressive divider valves (Divider Installations)                                       |   |                                                                                    |
| - | - Injectors (Injector Installations)                                                              |   |                                                                                    |
| E | To lube points                                                                                    |   |                                                                                    |